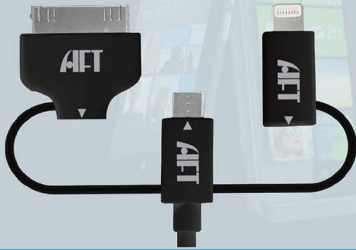


ATECH FLASH TECHNOLOGY

AFT 3-in-1 SMART CABLE



1 Meter Length

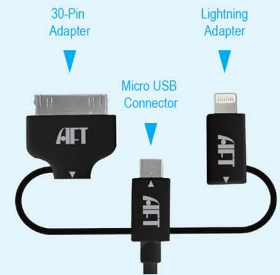
Smart, Versatile

Using your Smart Mobile Phone for taking digital photos are getting much more popular due to the latest HD quality sensors. Due to this increase of Smart Phone Images, the users still will need a way to print copies.

Atech Flash Technology (AFT), one of the top digital card reader manufacturers has addressed this issue and is offering a 3-in-1 Smart Cable. The 3-in-1 Smart Cable is plug and play and very easy to use with your existing Photo Kiosk machine. Utilizing the AFT Smart Cable, you can sync up with the latest Smart Phones and upload images to your kiosk.

Features

- Apple MFi Certified Cable
- Single USB connection for simple Plug-n-Play interface
- Easy to use diagram guide attached to cable
- Apple Lightning Adapter for iPhone 6, iPhone 6 Plus, iPhone 5, iPhone 5S, iPad Mini, iPad Air
- Apple 30-pin Adapter for iPhone 4, iPhone 4S, iPad



Made for

 iPod  iPhone  iPad



AFT™ Atech Flash Technology, Inc.
46045 Warm Springs Blvd.
Fremont, CA 94539

Tel: 510.824.6868
Fax: 510.824.6869
sales@atechflash.com

atechflash.com

AFT 3-in1 SMART CABLE

Smart Phone Cable

Hardware Specifications:

- Apple Lightning Adapter
- Apple 30-Pin Adapter
- Micro USB Connector
- Dimensions : 1 Meter
- Power Requirements: USB bus-powered
- Hardware Requirements: 1 x USB Port from Computer

Apple iOS Devices Supported:

iPad (1st to 4th generation)
iPad Air
iPad Mini
iPod Touch (4th & 5th generation)
iPhone 6
iPhone 6 Plus
iPhone 5S
iPhone 5
iPhone 4S
iPhone 4
iPhone 3GS
iPhone 3G
iPhone

Smart Phone Devices Supported:

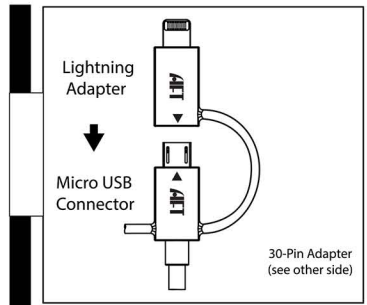
Android Phones
Blackberry Phones
Windows Phones
Android Tablets

Certifications & Licenses:

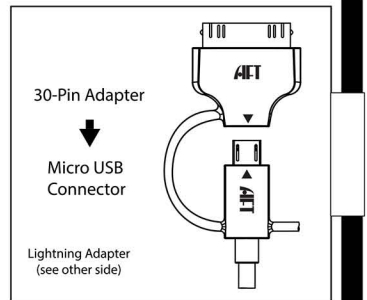


RoHS
COMPLIANT

Specifications are subject to change without further notice.
All trademarks, trade names and copyrights are properties of their respective owners.
iPhone, iPod, iPod touch, and iPad are trademarks of Apple Inc., registered in the U.S. and other countries.



Label Diagram Front



Label Diagram Rear